

Standard Accessories



• Adapter and Power Cord

- 100-240 V_{AC} to 19 V_{DC}
- Country specific power cords available



Capacitive Stylus

- Greater precision with fine-tip point
- Secure with tether design
- 93 × 7 mm (length × diameter)
- Model / Part Nr.: CTS-V1 / 9B000000001D



• Standard Battery

- **Model Name: BS101**
- 7.4V / 5300 mAh Li-Polymer Battery, 2S1P
- Dimensions: 153 x 122 x 11 mm
- Weight: 276 g
- Color: Pantone# 8403C



Optional Accessories

- **LAN cable**

- For LAN from 30 pin extension port
- Length:10cm
- RJ45, female
- Gigabit Ethernet



- **RS232 cable**

- For RS232 from 30 pin extension port
- Length: 10 cm
- DB9 Serial RS232 Cable, female



- **Micro HDMI cable**

- Micro HDMI (Male) to HDMI (Male)
- Length: 1.8M



- **Shoulder Strap**

- **Model Name: SS-M101**
- Fixed with screws
- Adjustable cross-body strap
- Strap Length: 85-165cm
- Weight: 94g



- **Hand Strap**

- **Model Name: HS-M101**
- Fixed with screws
- Adjustable for both battery sizes



- **Carry Bag**

- Hand Carrier
- Shoulder Strap



Optional Accessories

• Office Docking

- **Model Name: DD-M101**
- USB 2.0 x 4 (Rear x2, Side x2)
- LAN (10/100) / VGA / RS232
- 9-36V DC IN with 3-pin terminal block



• High Capacity Battery

- **Model Name: BL101**
- 7.4V / 10600 mAh Li-Polymer Battery, 2S2P
- Dimensions: 153 x 122 x 16.5 mm
- Weight: 474 g
- Color: Pantone# 8403C



• Vehicle Docking

- **Model Name: VD-M101B**
- VESA Mounting support
- USB 2.0 x 4 (Rear x2, Bottom x2)
- LAN (10/100) / RS232
- Optional VGA output
- GPS ANT SMA x 1
- 9-36V DC IN with 3-pin terminal block
- Easy insert and release with Key-Lock



• Vehicle Charger

- Wide Power Voltage Support
- 11V~16V DC or 22V~24V DC /
- 12V/ 5A DC OUT



• VESA Mount Kit

- **Model Name: VS-M101**
- 75x75 mm VESA Mount



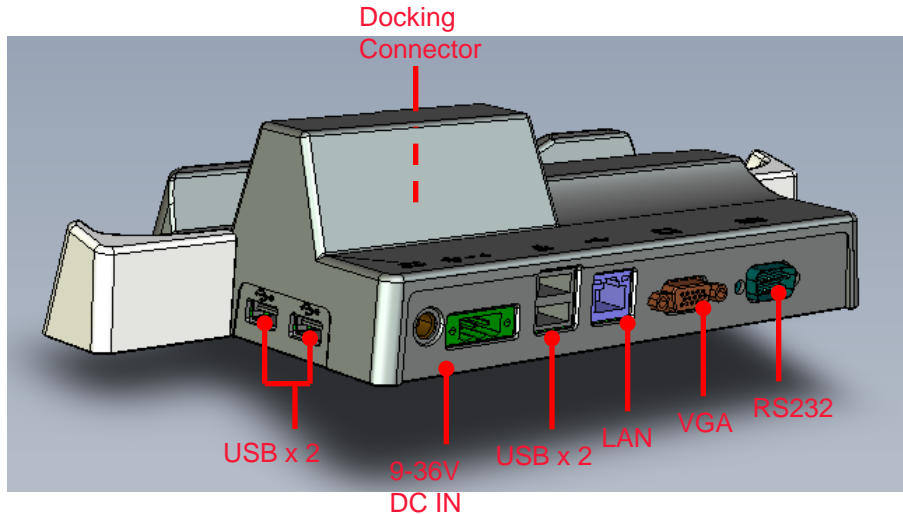
• Charging Cart

- **Model Name: M97CC-V2**
- PWR Input: AC 110~240V
- PWR Output: DC 12V, 3A (X24)
- Capacity: Up to 32 pcs



Docking Solution

Office- Docking

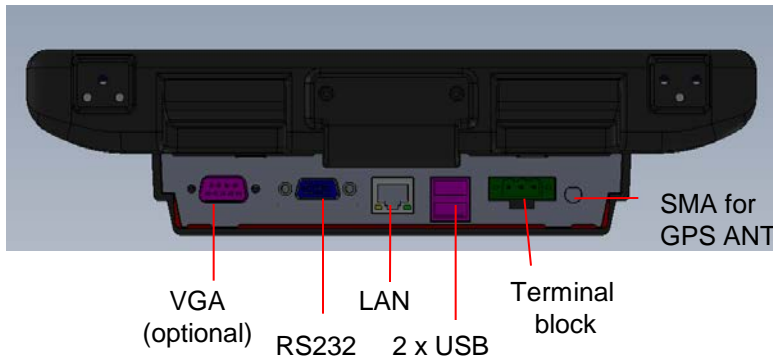


Features:

- Designed for M101 Tablet PC
- 9-36V DC IN
- LAN, RS232, USB x 4, VGA expansion

Docking solution

Vehicle Docking



Features:

- Wide power voltage input (9~36V DC-in)
- IP52 design (Rain proof)
- VESA standard for various standard fixtures
- SMA connector for external GPS antenna
- Optional VGA output

Docking solution

Vehicle Docking



- Hold the tablet stably on moving vehicle
- Easy to remove / insert with one hand
- VESA mount for various standard fixtures
- 2 side USB for quick access
- Anti-theft design with key lockable cradle
- Lockable connector for 9-36V DC input

Support I/O :

- VGA (optional) → connect external display device
- USB 2.0 → for Keyboard/Mouse/Printer/ USB storage/any other USB interface
- RS232 → for Scanners/Diagnostic Equipment
- LAN → access internet/ Database servers/ backup over night
- SMA Connector → for GPS antenna

Docking solution

Vehicle Docking

Quick insert & lock w/ single hand!



1. Insert the tablet PC into the docking.
2. Push down the hook to lock the device. Lock the docking with a key if needed.

Quick release & unlock !



1. Unlock and move the latch at rear side to release hook on the top of vehicle docking.
2. Remove the tablet from the docking

Docking solution

Vehicle Docking

Docking is permanently Rain Proof



Battery Information

Item	Hours
Battery Life*	
Standard Battery (7.4V / 5300mAh / 2S1P)	8 hours
High Capacity Battery (7.4V / 10600mAh / 2S2P)	16 hours
Battery Charging hours**	
Standard Battery (7.4V / 5300mAh / 2S1P)	2.5 hours
High Capacity Battery (7.4V / 10600mAh / 2S2P)	3.5 hours

* Estimated Battery Life. Actual battery life will be affected by many factors such as screen brightness, wireless feature settings, applications, power management, and battery condition. The battery life test results are from **MobileMark2007**.

** Tested with the device powered-off. Actual charging hour will be affected by different operating modes. The battery charging test results are processed when the tablet is off.

Focus Target Markets for Rugged tablet



Transportation & Logistics

- Ensure compliance with Real data



Field Service & Utilities (GIS)

- Increase the Efficiency of Field workers



Logistics & warehouse

- Expedite Process and customer satisfactory

