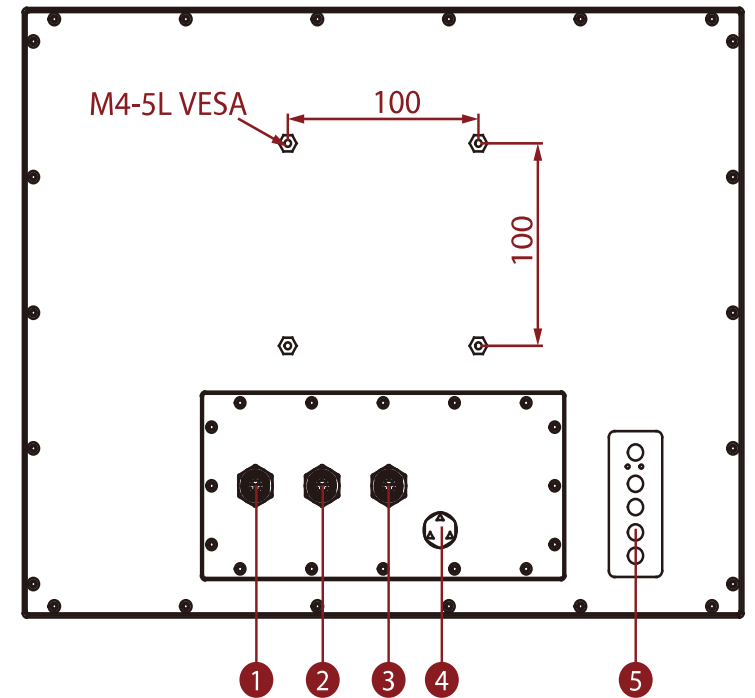
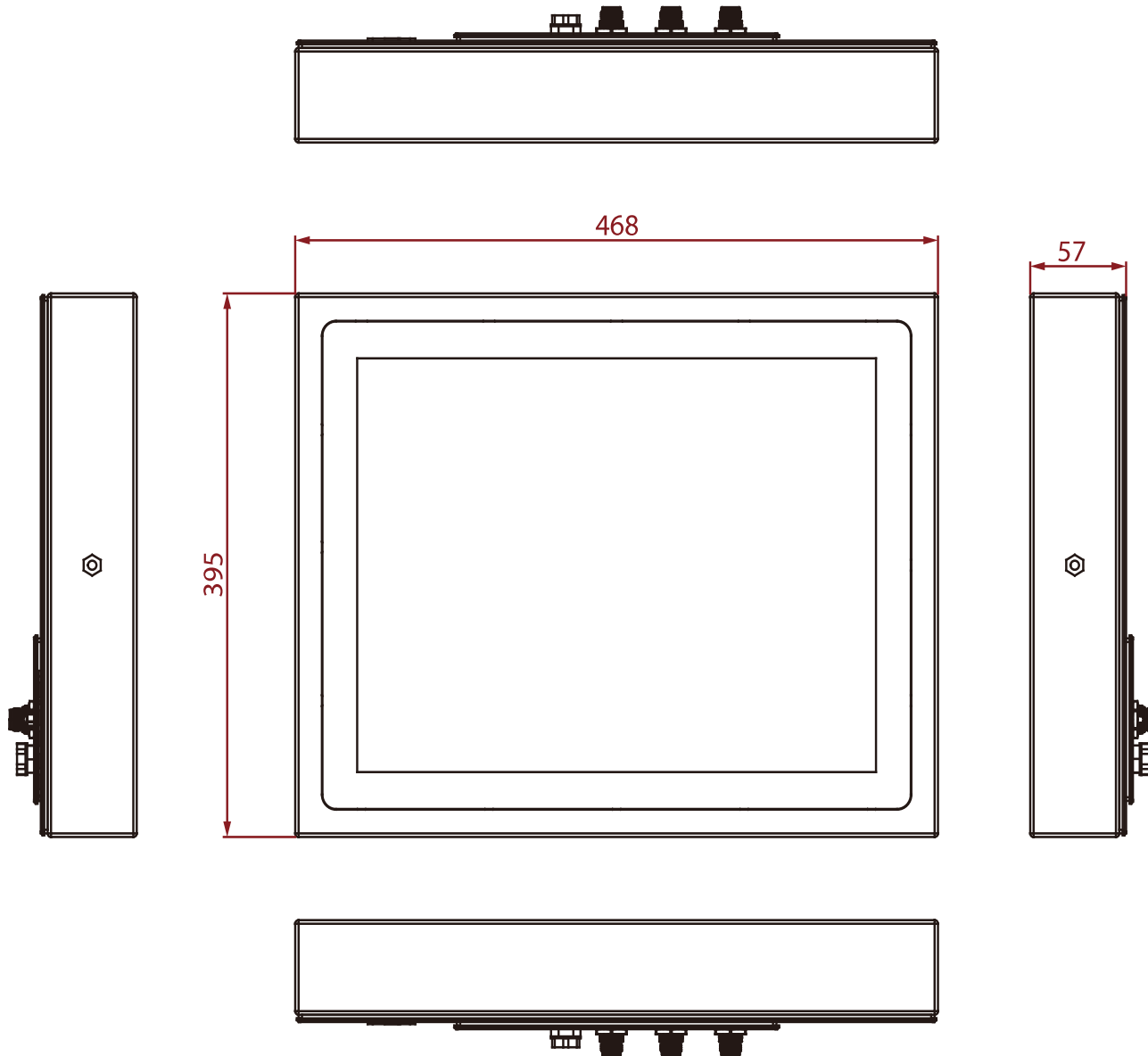


WM ES Series

WM 19-V-69K-ES-MTU (stainless steel)

48,3 cm (19") 4:3 LCD



- ① Power Input
- ② VGA
- ③ USB for Touch
- ④ Air Vent Valve
- ⑤ OSD Control Panel