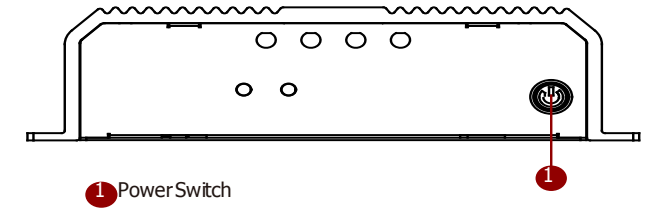
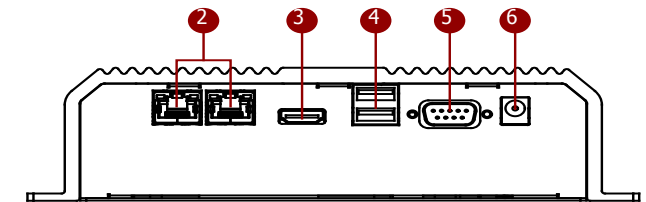


Front side I/O



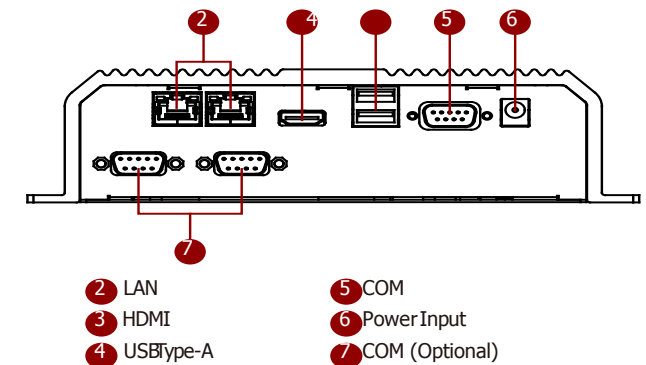
Rear side I/O



- 2 LAN
- 3 HDMI
- 4 USBType-A
- 5 COM
- 6 PowerInput

Ordering Information

Customer can optional add max. 2 ports COM



- 2 LAN
- 3 HDMI
- 4 USBType-A
- 5 COM
- 6 PowerInput
- 7 COM (Optional)