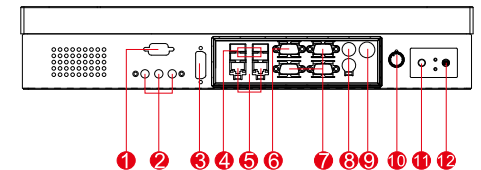
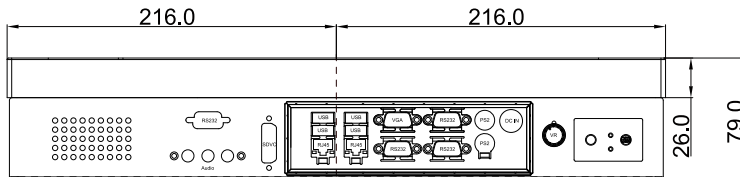
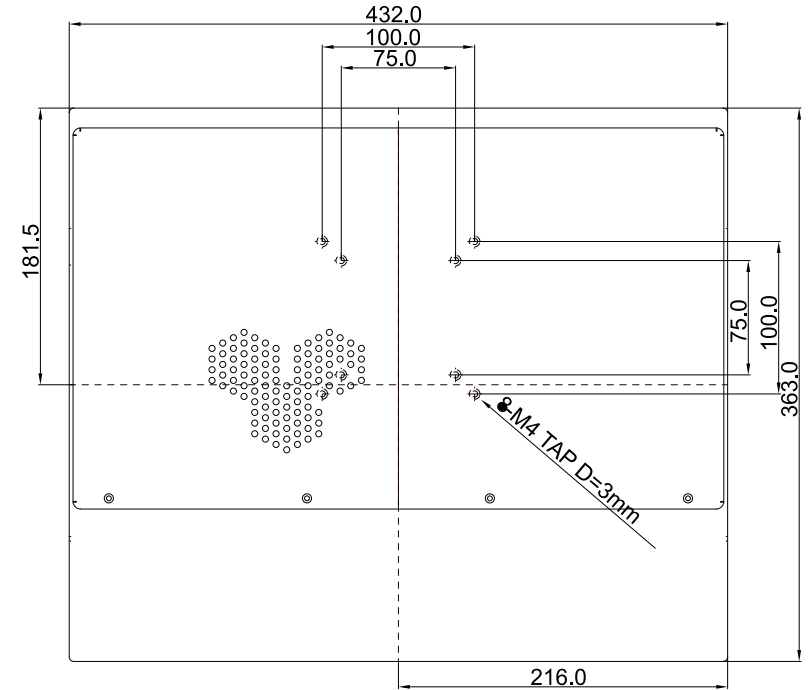
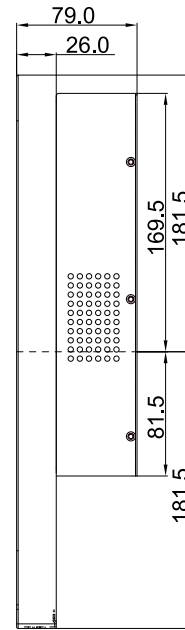
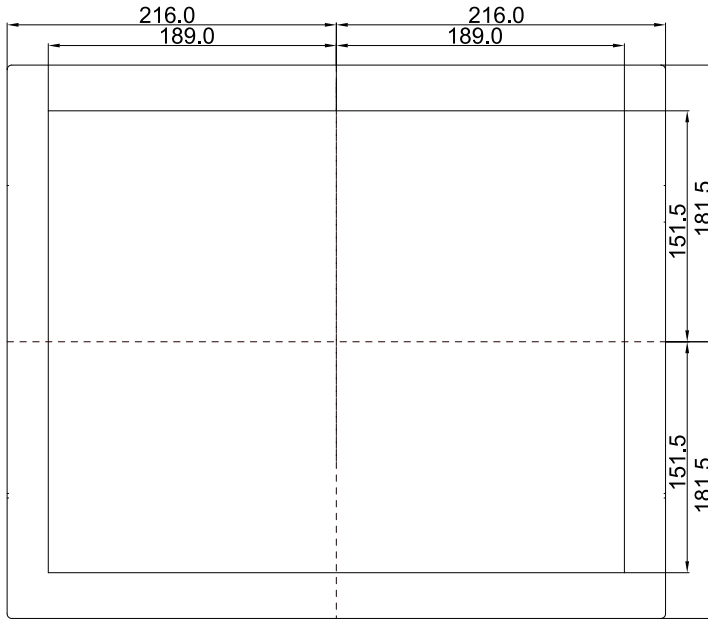
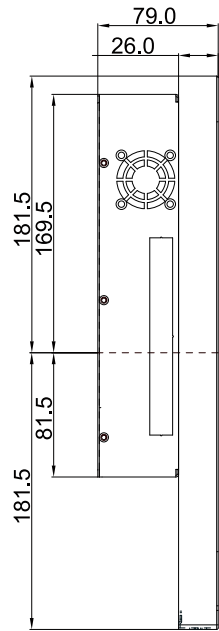
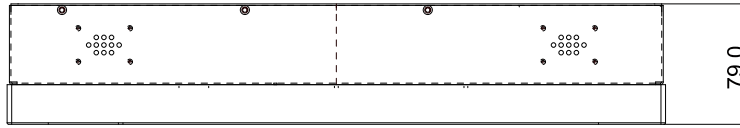


SlimLine IF70 Series

SlimLine WM 19-IF70-CH

48,3 cm (19") 4:3



- | | |
|----------------------------|--------------------------------|
| 1. RS-232 Conn. (Optional) | 7. RS-232 Conn. |
| 2. Audio Jack | 8. PS/2 |
| 3. DVI (Optional) | 9. DC IN Power Jack |
| 4. USB | 10. Brightness Adjustment Knob |
| 5. LAN | 11. Power On Button |
| 6. VGA | 12. Power Reset Button |