

Battery for M101BK

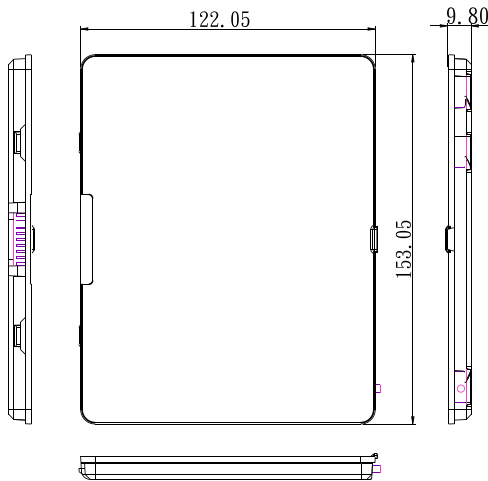
BS101-Black

Product Features:

- Compatible with M101B, M101H, M101M8, and M101BT
- Easy installation

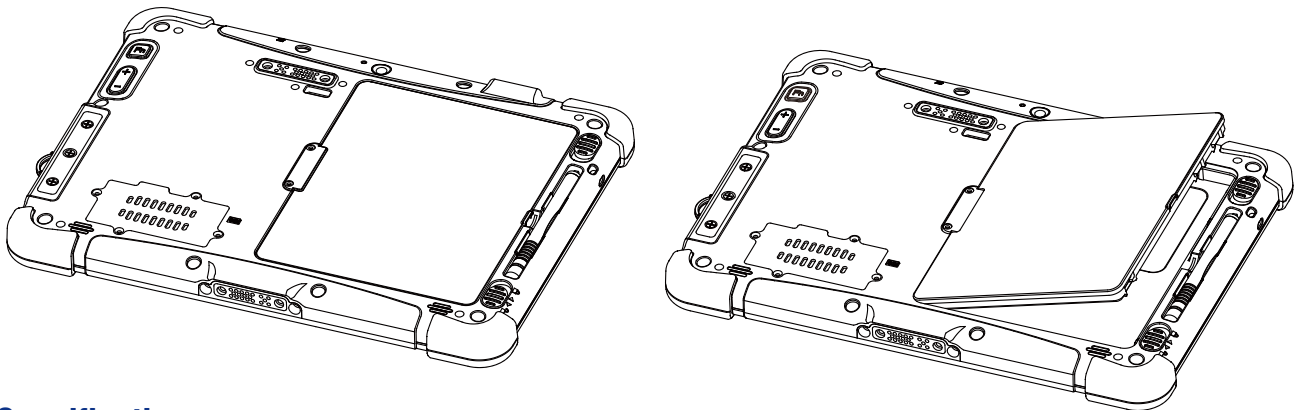


Mechanical Drawing



Dimensions	153 x 122 x 9.8 mm
Weight	276 g
Color	Pantone# 426C

Installation Procedure



Specification

Voltage / Capacity	7.4V / typ. 5140 mAh
Composition	2S1P Li-Polymer Re-chargeable Battery
Operating Temperature	Standard Charging: 0~45°C Standard Discharging : -20~60°C
Life Cycle	≥ 300
Certification	UL2054, IEC62133, UN38.3

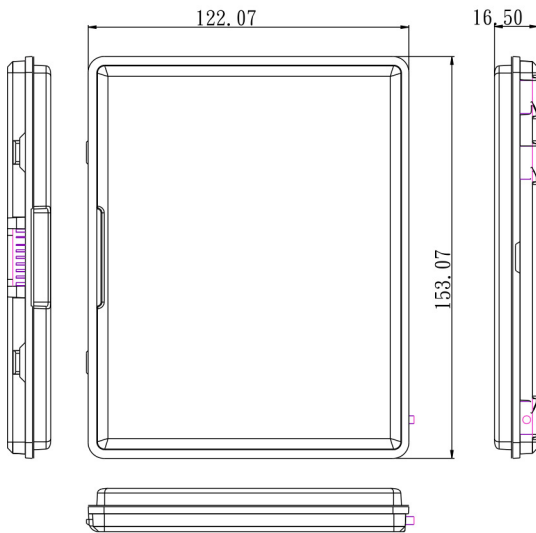
Battery for M101BK

BL101-Black

Product Features:

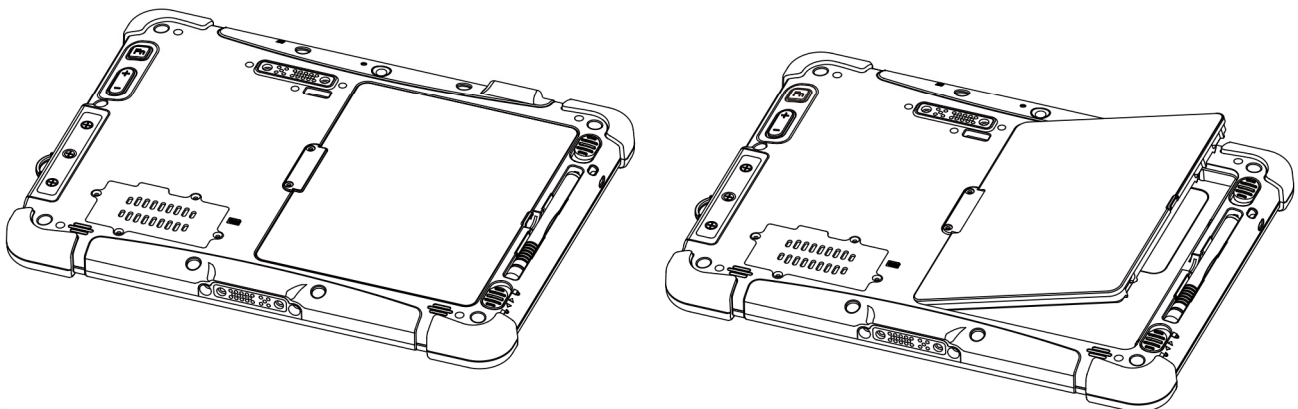
- Compatible with M101B, M101H, and M101BT
- Easy installation
- High capacity battery for long-life operating

Mechanical Drawing



Dimensions	153 x 122 x 16.5 mm
Weight	474 g
Color	Pantone# 426C

Installation Procedure



Specification

Voltage / Capacity	7.4V / typ. 10280 mAh
Composition	2S2P Li-Polymer Re-chargeable Battery
Operating Temperature	Standard Charging: 0~45°C Standard Discharging : -20~60°C
Life Cycle	≥ 300
Certification	UL2054, IEC62133, UN38.3