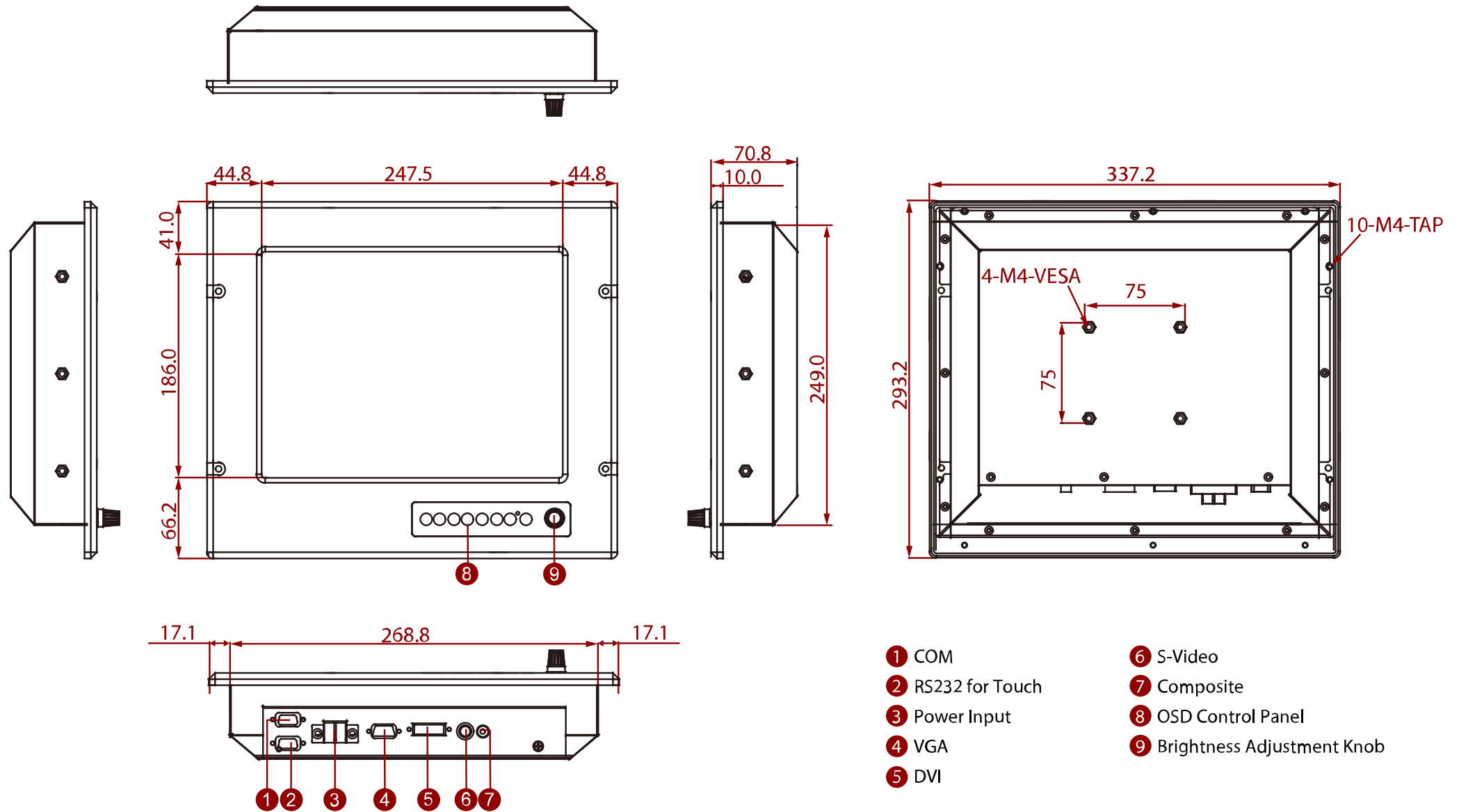


R12L600-MRM2 Marine Display
30,7 cm (12,1")



- ① COM
- ② RS232 for Touch
- ③ Power Input
- ④ VGA
- ⑤ DVI
- ⑥ S-Video
- ⑦ Composite
- ⑧ OSD Control Panel
- ⑨ Brightness Adjustment Knob