

# Capacitive Stylus

## Product Features:

- Double side design with both soft rubber and fine plastic tip
- Better precision with fine-tip point
- Replaceable rubber tip design
- Less fingerprints on the screen
- Stylish and sleek design
- Secure with tether design

Model No: DS-M101

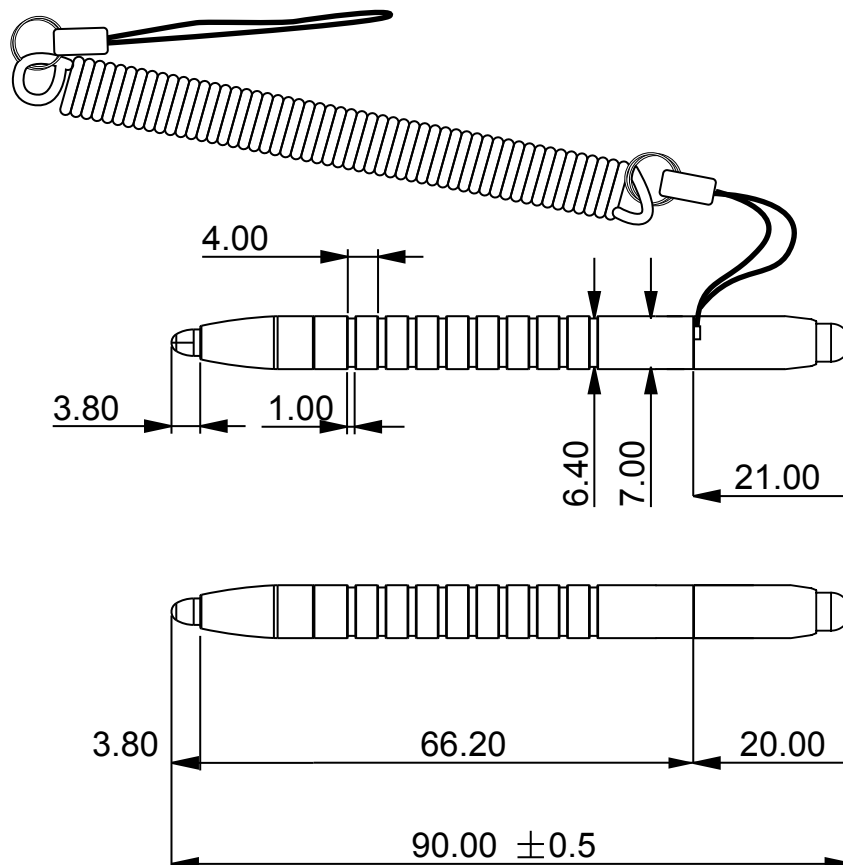
Part Number: 9B0000000415



## Product Specification

Stylus Dimension	90.0 x 7.0 mm
Stylus Tip Diameter	3.5 mm / 5.5mm
Tether Length	195mm
Weight	11g

## Mechanical Drawing





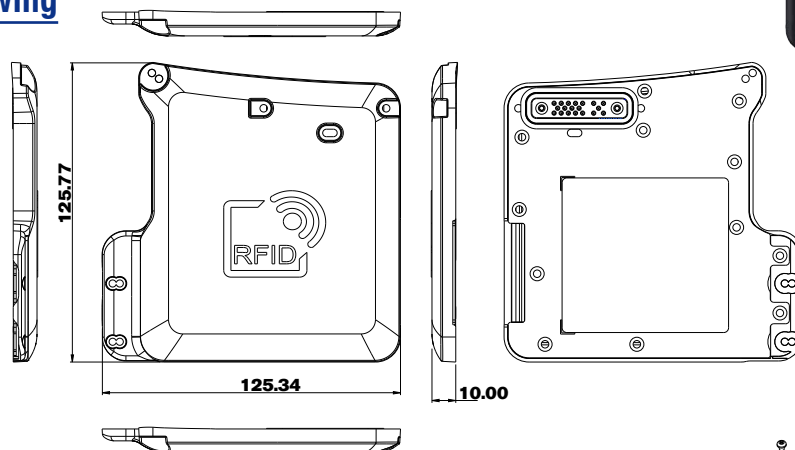


### Product Features

- Integrated ThingMagic M6e-Micro module
- Integrated orientation antenna for fast and accurate tag reads
- Power transmission up to +30 dBm (1 Watt) power
- Read-Range 3+ Meters for 2x8 cm UHF tags in unobstructed space
- Option of 865-868 MHz and 902-928 MHz
- Supports EPCglobal Gen 2 (ISO 18000-6C) protocol
- Easy to install and operate

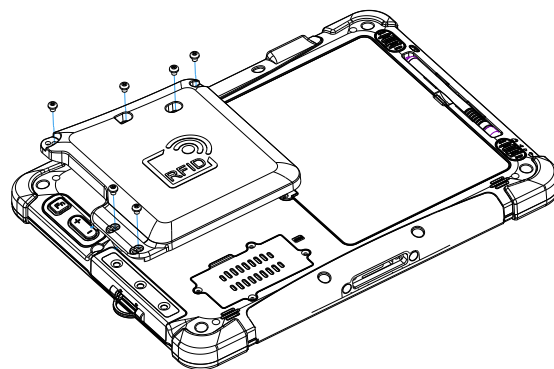


### Mechanical Drawing



### Installation Procedure

1. Remove expansion port cover from the rear side of M101 Tablet PC.
2. Align the Pogo Pin on UHF-M101 to the expansion port of M101 Tablet PC; screw to fix the module on tablet.
3. Turn on the power of UHF-M101 through Hottab utility (Extend\_USB).
4. Install the driver and utility needed.



### Specification

Tag / Transponder Protocols			
RFID Protocol Support	EPCglobal Gen 2 (ISO 18000-6C) with max backscatter rate of 640 kbps IP-X and ISO 18000-6B optional		
Regulatory	Basing on different frequencies supported.		
	<ul style="list-style-type: none"> <li>• FCC (NA, SA) 902-928 MHz</li> <li>• KCC (Korea) 917-920.8 MHz</li> <li>• ACMA (Australia) 920-926 MHz</li> <li>• SRRC-MII (P.R.China) 920-925 MHz</li> <li>• ETSI (EU, India) 865.6-867.6 MHz</li> <li>• TRAI 865-867 MHz (India)</li> </ul>		
Power transmission (dBm)	up to +30 dBm (1 Watt) power		
Read Range	3 meters for 2x8 cm UHF tags in unobstructed space *		
Certificate	Contains FCC ID: QV5MERCURY6E-M.		
Environment & Mechanical		Software Support	
Dimension	125.77 x 125.34 x 10.0 mm	Support OS	Windows 8, Windows 8.1, Windows 7
Operating Temp.	-10°C to +60°C	Test Utility	ThingMagic Universal Reader Assistant supported
Storage Temp.	-20°C to +70°C		

### Ordering information

Model No.	Part Number
UHF-M101	98K000A0004J

\*Note: Please note that the read range depends on the actual environment, and can be affected with different UHF RFID Tag IC used.