

Desk Docking for M101 Series

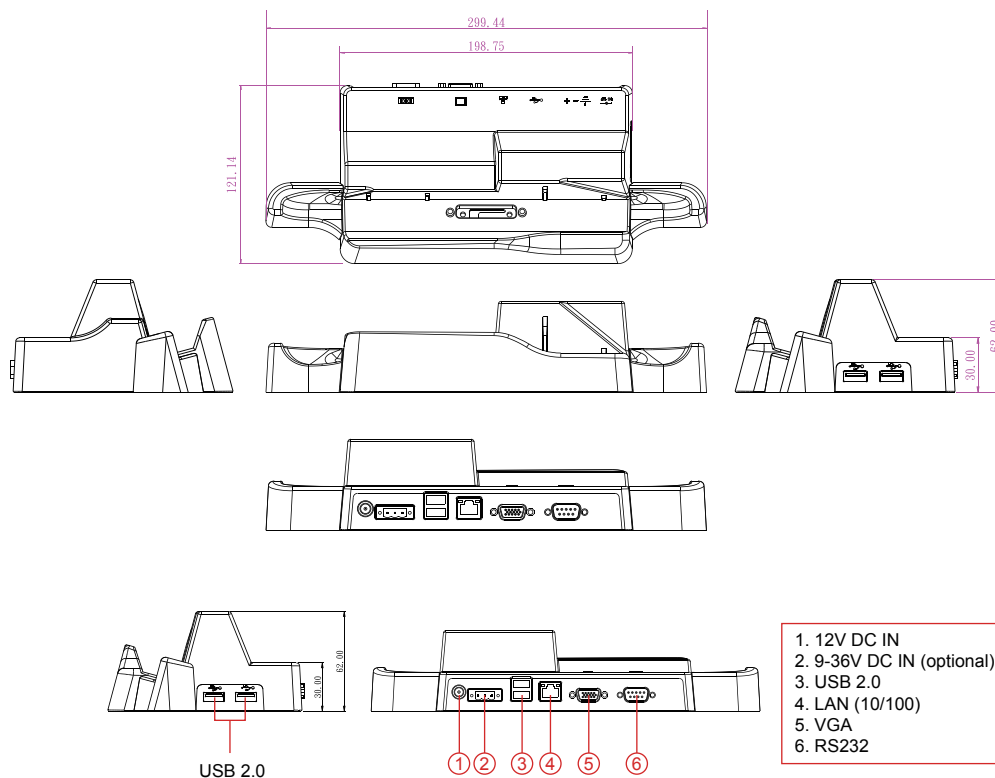
DD-M101

Product Features:

- Easy to charge M101 tablet PC
- Compatible with M101B/H/D tablet PCs
- User friendly viewing angle with extended I/O interface
- Accessible to both Standard and High-Capacity batteries
- Optional Wide Power Voltage input (9~36V DC-in)



Mechanical Drawing



Specification

Dimension		299.44 x 121.14 x 62.00 mm
Power Input		12V DC IN (Default) 9-36V DC IN (Optional)
I/O Support	Rear	RS232 x 1 USB 2.0 x 2 10/100 LAN x 1 VGA x 1 DC Jack
	Side	USB 2.0 x 2

Rev.	Reasons	Revised Date
1.0	First release	Feb-18-2014

Vehicle Dock for M101H

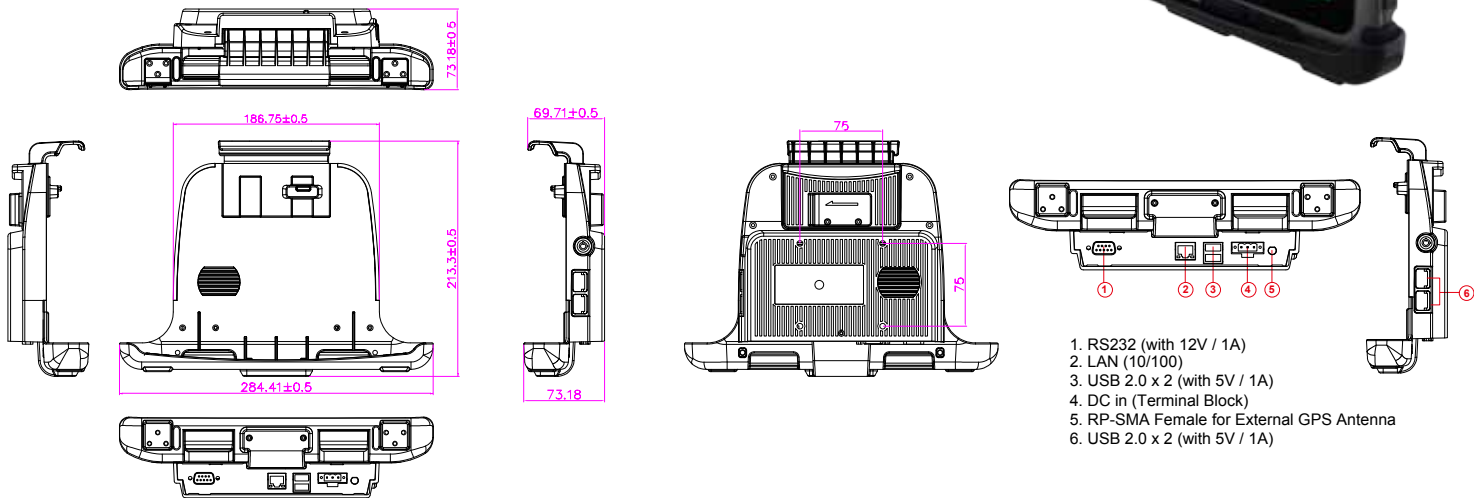
VD-M101H

Product Features:

- Hold the tablet stably on moving vehicle
- Anti-theft design with key lockable cradle
- Wide power voltage input (9~36V DC-in)
- IP52 design (Rain proof)
- VESA standard for various standard fixtures
- RP-SMA connector (Female) for external GPS antenna



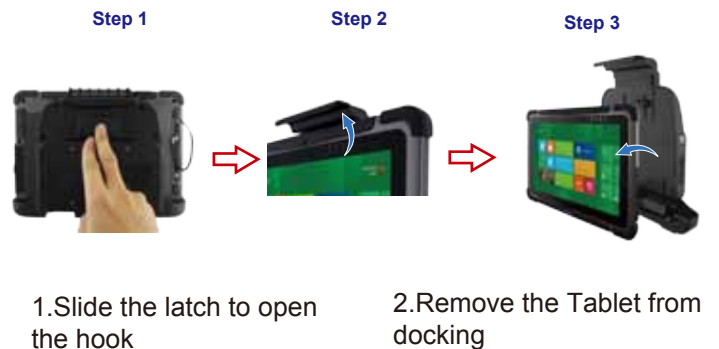
Mechanical Drawing



One hand docking :



One hand undocking :



Specification

Dimension		284.41 x 213.3 x 73.18 mm
Power Input		9~36V DC In
I/O Support	Bottom	RS232 x 1, USB 2.0 x 2, LAN x 1 RP-SMA Female x 1 (for external GPS antenna) 3-Pin Terminal Block x 1 (DC IN)
	Side	USB 2.0 x 2
Mounting		75 x 75mm VESA Mount
Vibration		MIL STD. 810G, 5 ~ 500Hz, 2.24G