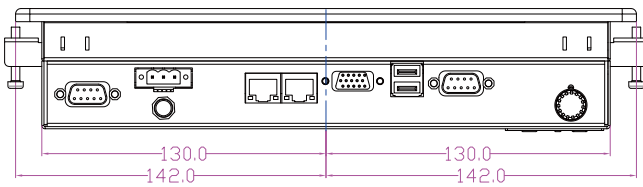
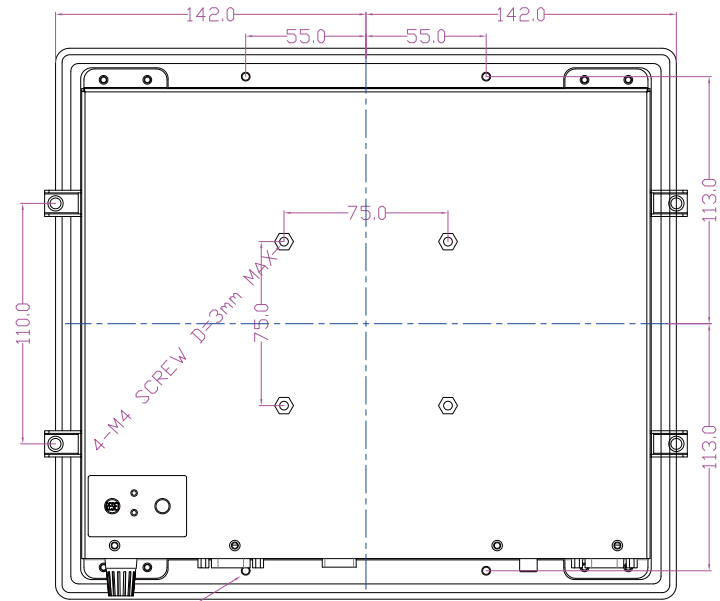
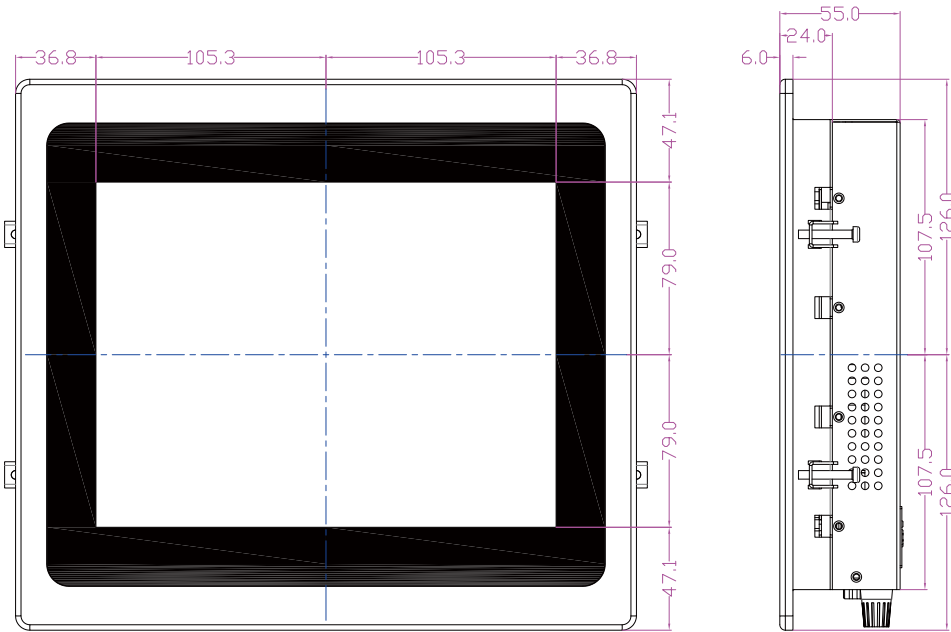
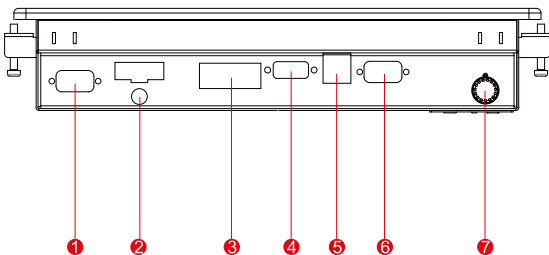


SlimLine ID31-MTU Series
SlimLine WM 10-ID31-PMA-MTU
 26,4 cm (10.4") 4:3 LCD

Front Panel:
 PMA = Panelmount, 6 mm aluminium



4-M4 SCREW D=4.5mm MAX



1. RS232
2. 12V ~ 24V DC IN (Lockable)
3. RJ - 45 (LAN) x 2
4. VGA Output
5. USB x 2
6. RS232 / 422 / 485
7. Brightness Adjustment Knob

