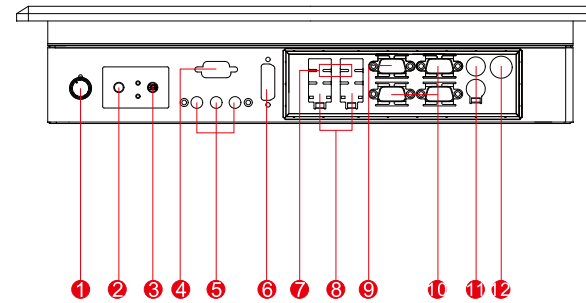


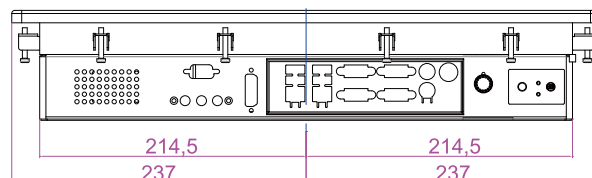
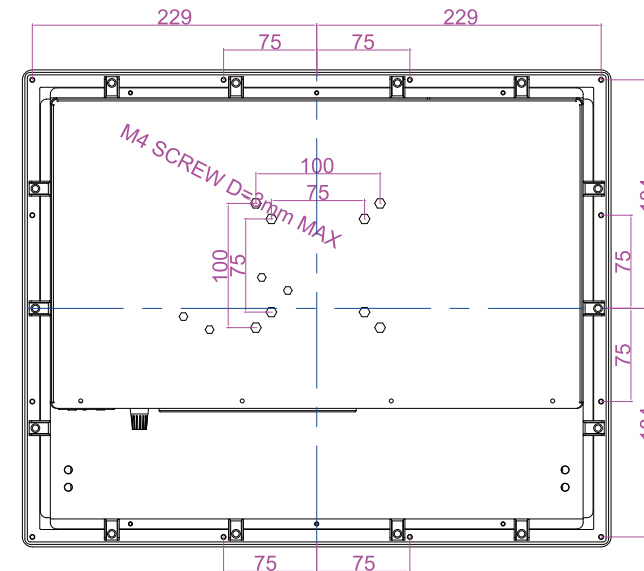
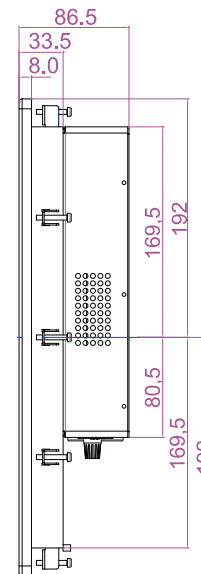
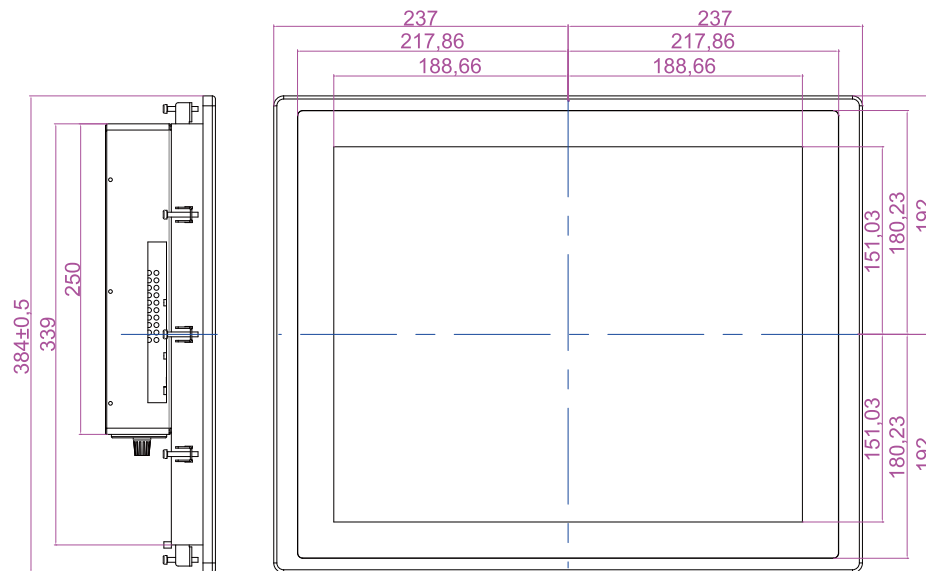
# SlimLine ID70-MTU Series

SlimLine WM 19-ID70-PMA-MTU

48,3 cm (19") 4:3



1. Brightness Adjustment Knob
2. Power On Button
3. Power Reset Button
4. RS-232 Conn. (Optional)
5. Audio Jack
6. DVI (Optional)
7. USB
8. LAN
9. VGA Out
10. RS-232 Conn.
11. PS/2
12. DC-IN Power Jack



CUT OUT DIMENSION : 432\*343 mm

- \* Measurements shown in mm
- \* Tolerance of all dimensions is shown as follow 0~30 mm ± 0.1 mm, 30~50 mm ± 0.15 mm, 50~120 mm ± 0.2 mm, above 120 mm ± 0.25 mm
- \* Note: this is a simplified drawing and some components are not marked in detail.
- \* Please contact our sales representative if you need further product information.