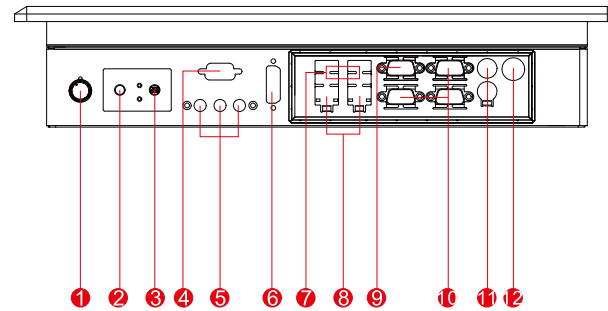


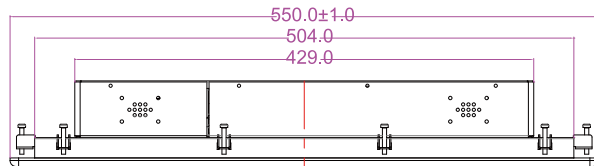
SlimLine ID70-MTU Series

SlimLine WM 22W-ID70-PMA-MTU

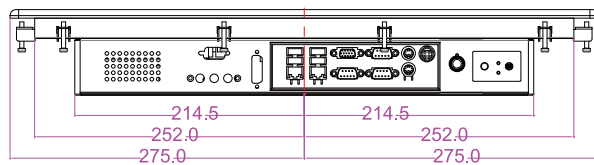
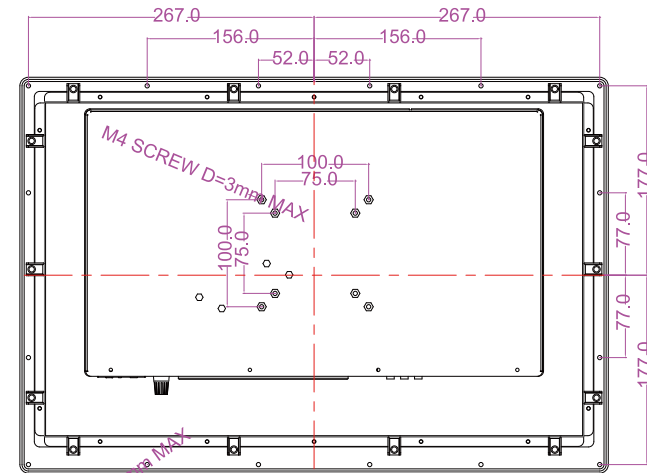
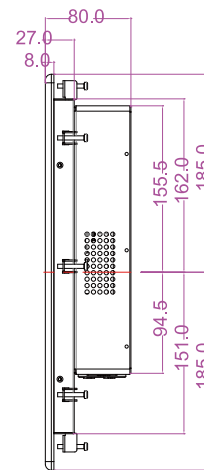
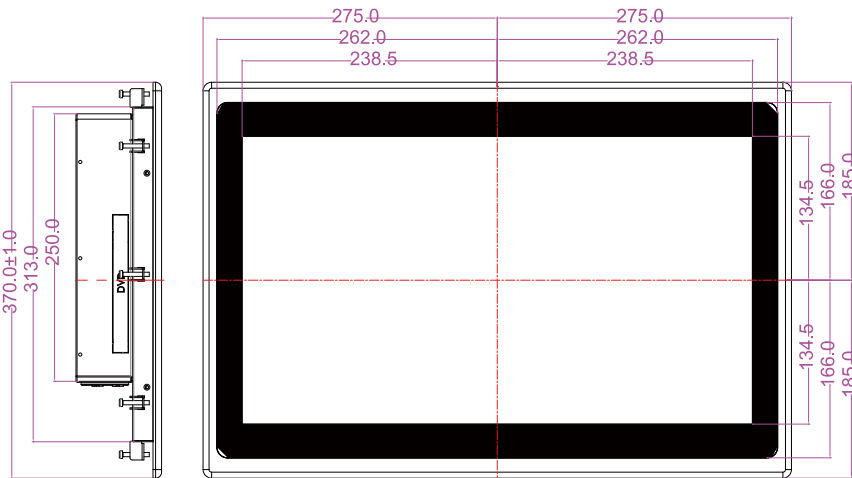
54,6 cm (21,5") 16:9



1. Brightness Adjustment Knob
2. Power On Button
3. Power Reset Button
4. RS-232 Conn.(Optional)
5. Audio Jack
6. DVI (Optional)
7. USB
8. LAN
9. VGA Out
10. RS-232 Conn.
11. PS/2
12. DC-IN Power Jack



CUT OUT: 507*317 mm



M4 SCREW D=3mm MAX
M4 SCREW D=6mm MAX

- * Measurements shown in mm
- * All Dimensions are ±
- * Note: this is a simplified drawing and some components are not marked in detail. Please contact our sales representative if you need further product information.