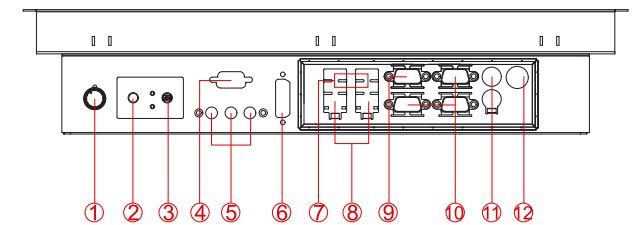
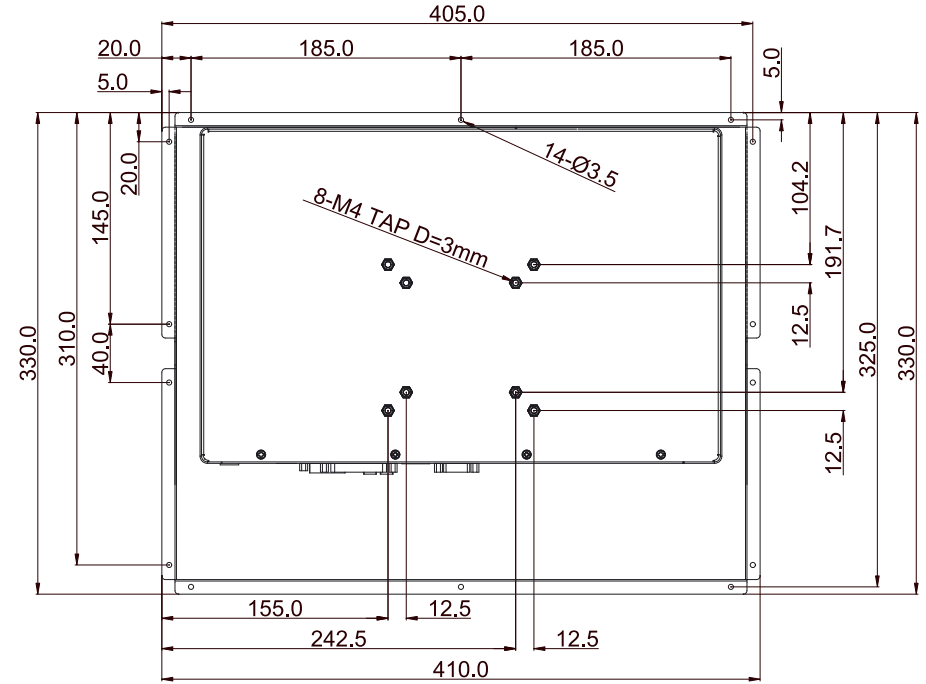
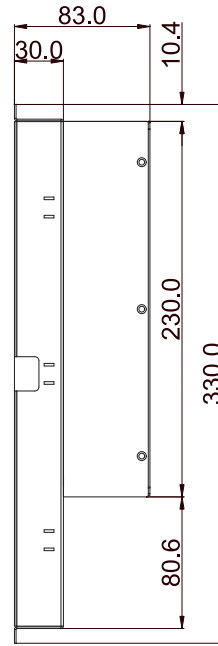
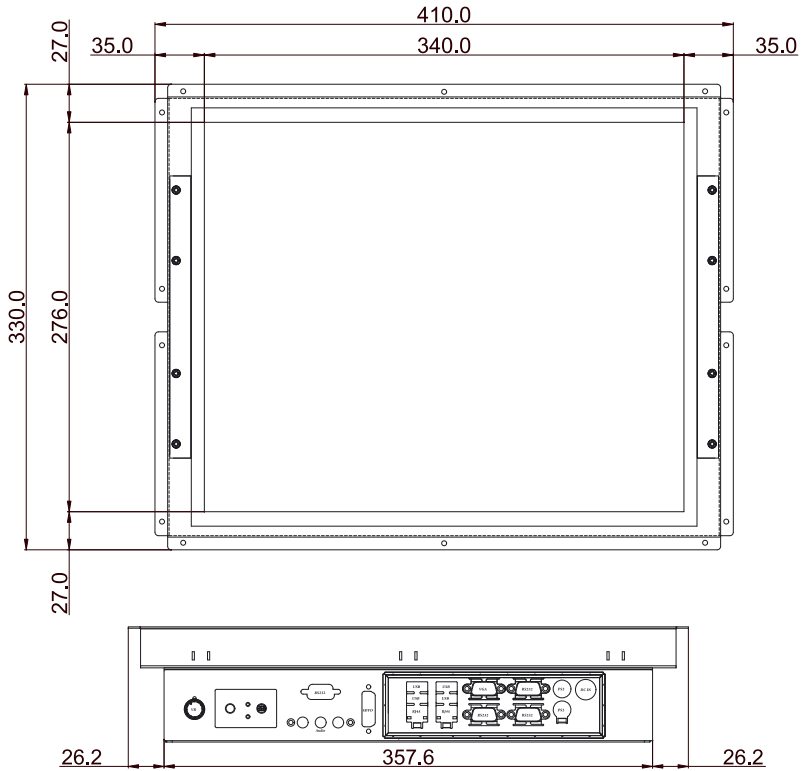


**SlimLine ID70 Series**  
 SlimLine WM 17-ID70-OF (Openframe)  
 43,2 cm (17") 4:3 LCD



- |                               |                  |
|-------------------------------|------------------|
| 1. Brightness Adjustment Knob | 7. USB           |
| 2. Power On Button            | 8. LAN           |
| 3. Power Reset Button         | 9. VGA           |
| 4. RS-232 Conn. (Optional)    | 10. RS-232 Conn. |
| 5. Audio Jack                 | 11. PS/2         |
| 6. DVI (Optional)             | 12. DC-in Power  |