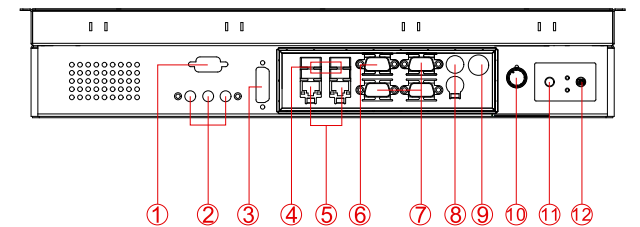
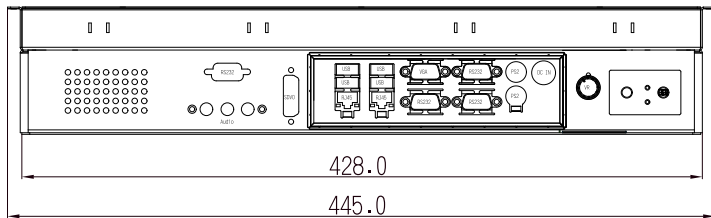
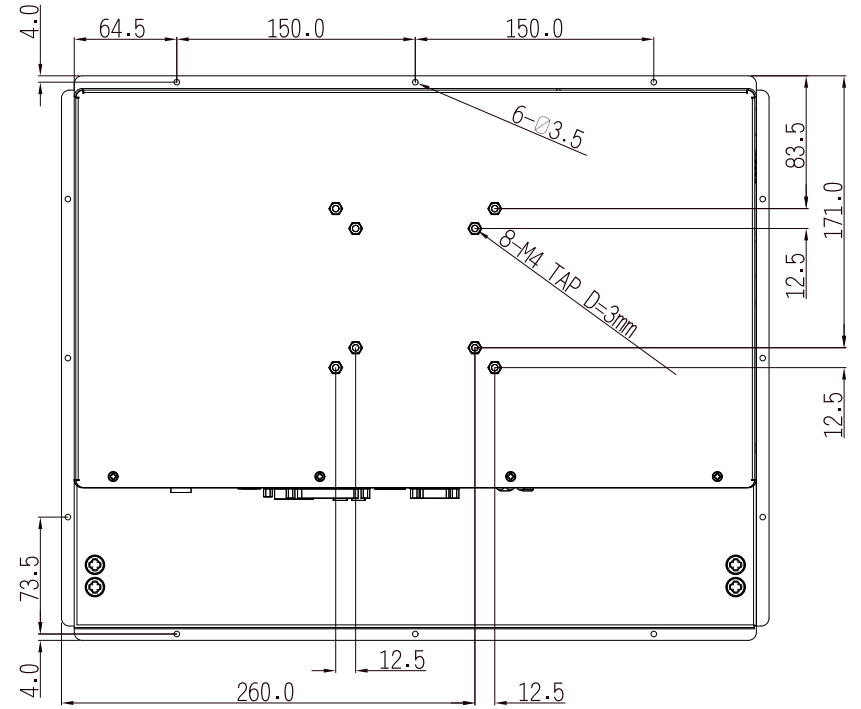
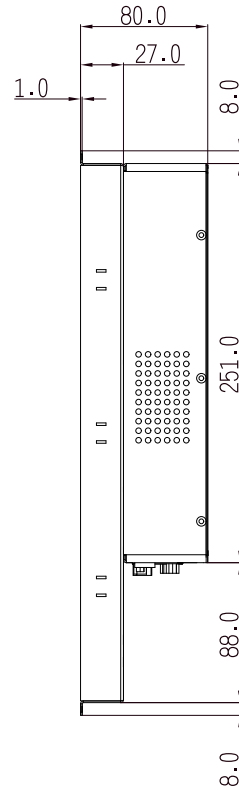
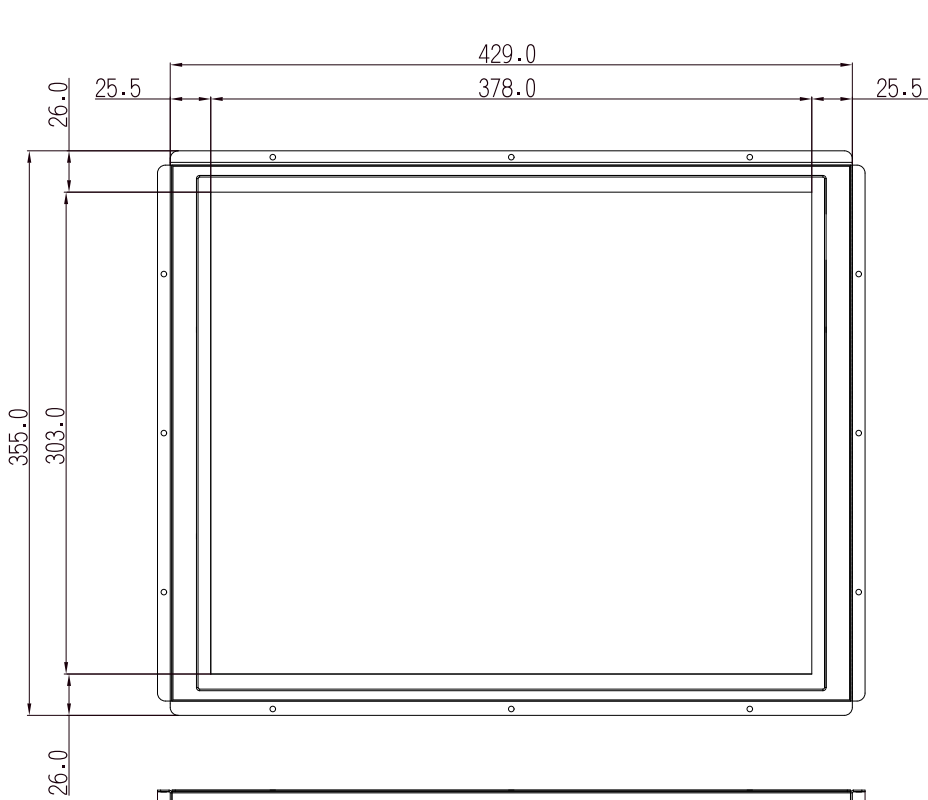


**SlimLine ID70 Series**  
 SlimLine WM 19-ID70-OF (Openframe)  
 48,3 cm (19") 4:3 LCD



- |                            |                                |
|----------------------------|--------------------------------|
| 1. RS-232 Conn. (Optional) | 7. RS-232 Conn.                |
| 2. Audio Jack              | 8. PS/2                        |
| 3. DVI (Optional)          | 9. DC-in Power                 |
| 4. USB                     | 10. Brightness Adjustment Knob |
| 5. LAN                     | 11. Power On Button            |
| 6. VGA                     | 12. Power Reset Button         |