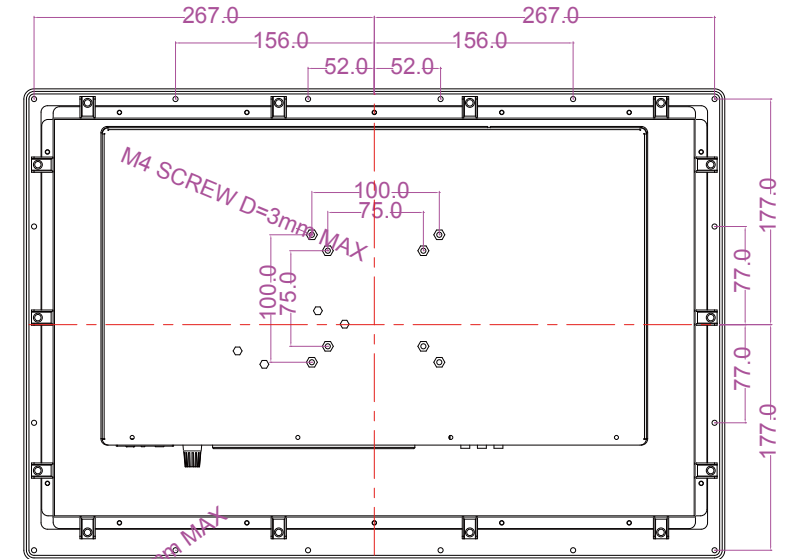
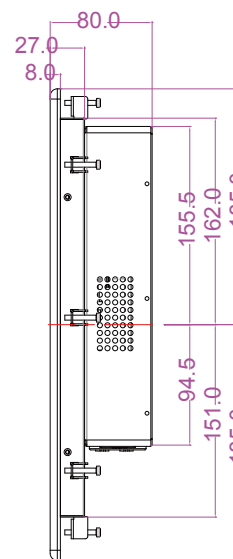
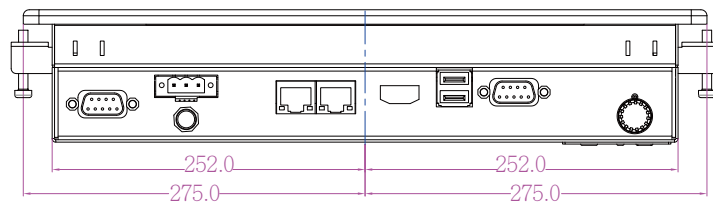
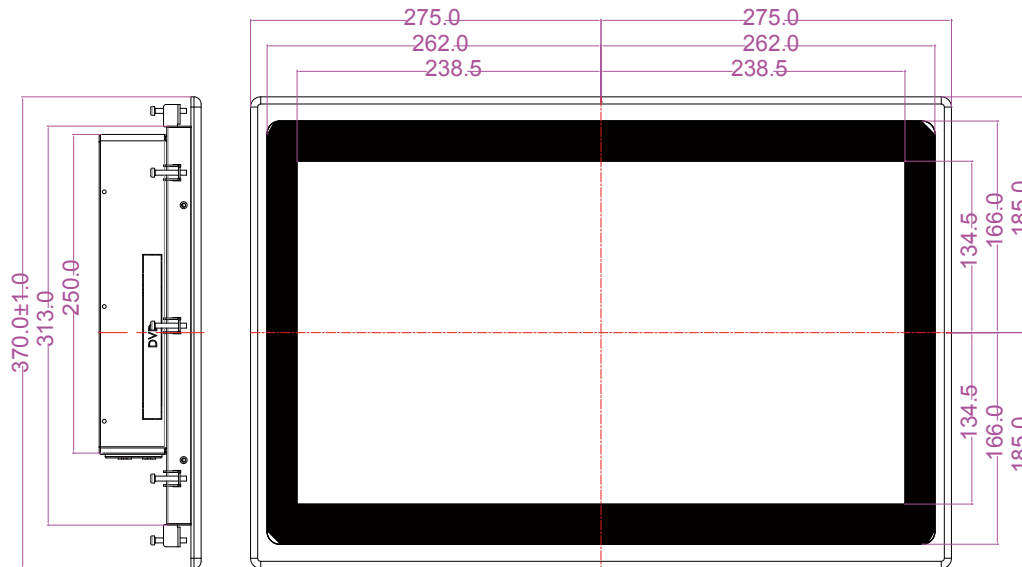
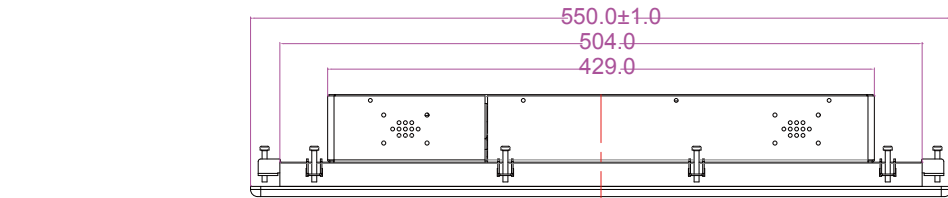


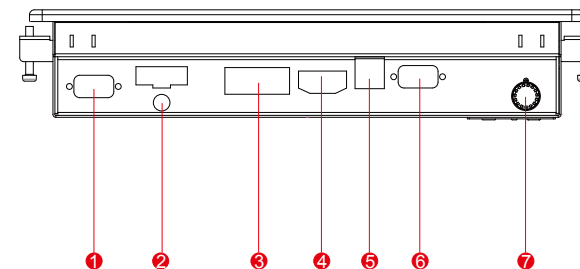
SlimLine IH32-MTU Series

SlimLine WM 22W-IH32-PMA-MTU

54,6 cm (21,5") 16:9



MOUNTING CUTOUT DIMENSIONS: 507 × 317 mm



1. RS232
2. 12V DC IN
3. LAN x 2
4. HDMI
5. USB3.0 x 2
6. RS232(Optional 422/485)
7. Brightness Adjustment Knob