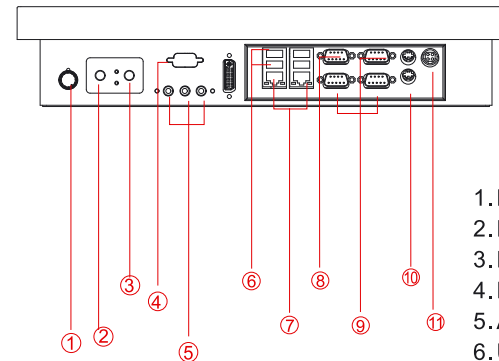
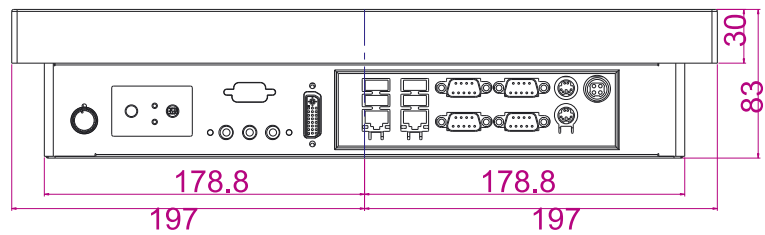
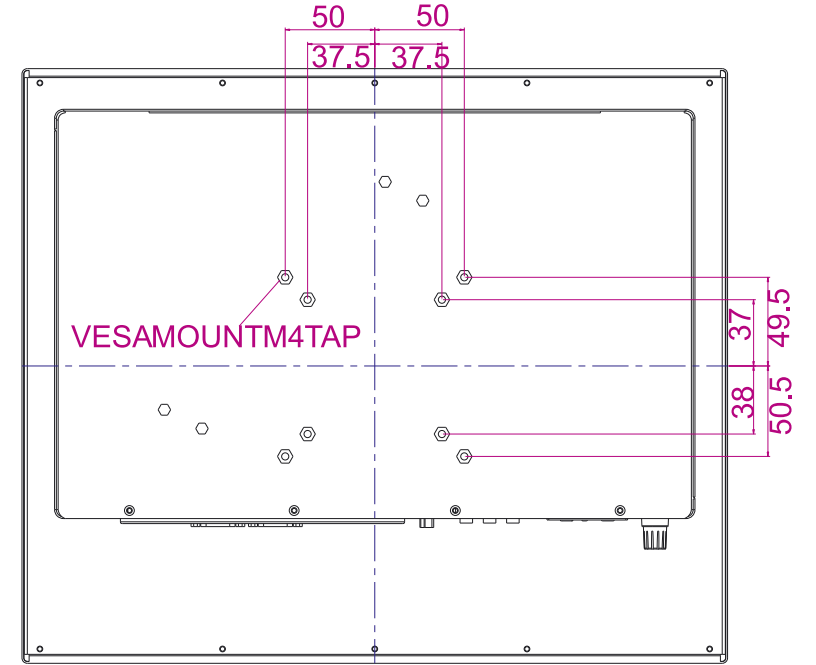
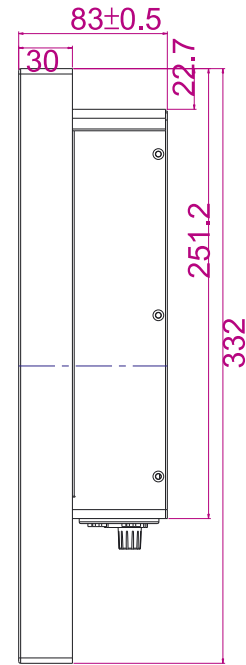
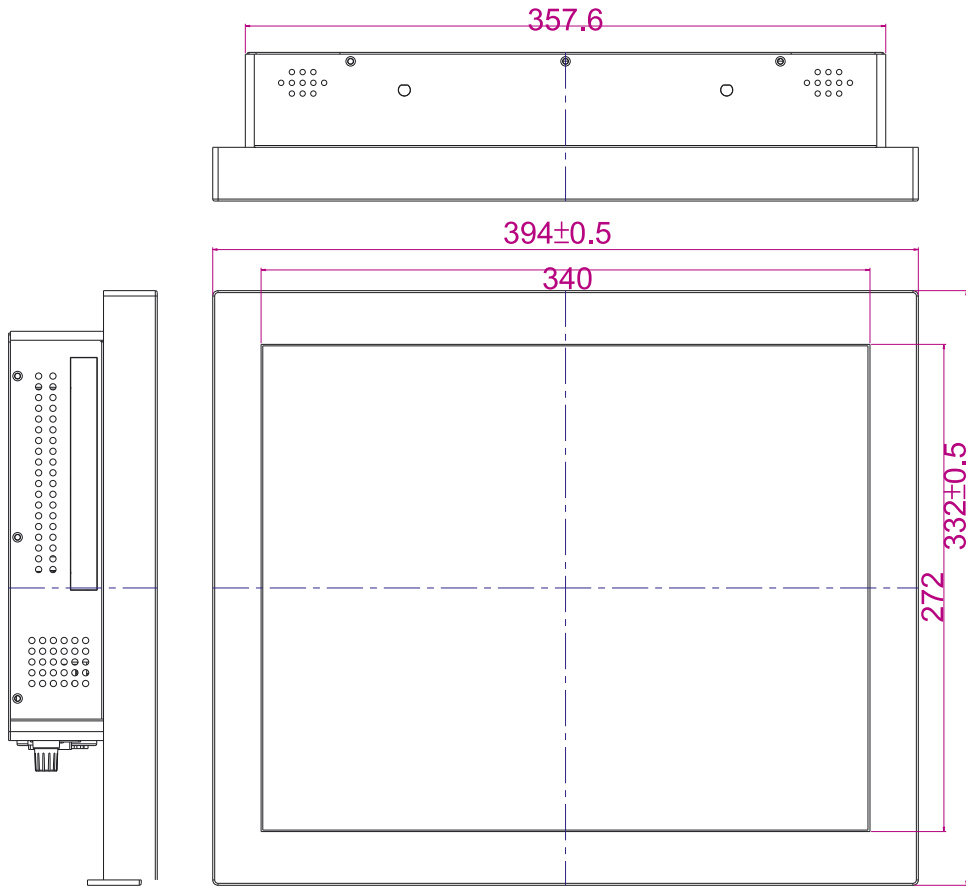


SlimLine ID70 Series
 SlimLine WM 17-ID70-CH (Chassis)
 43,2 cm (17") 4:3 LCD



- | | |
|-------------------------------|----------------------|
| 1. Brightness Adjustment Knob | 7. RJ-45 |
| 2. Power On Button | 8. VGA Out |
| 3. Power Reset Button | 9. RS-232 Conn. |
| 4. RS-232 Conn.(Optional) | 10. PS/2 |
| 5. Audio Jack | 11. DC-IN Power Jack |
| 6. USB | |