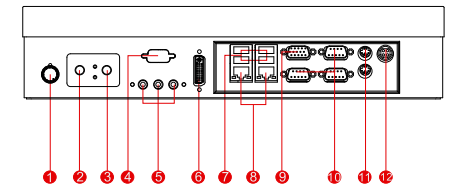
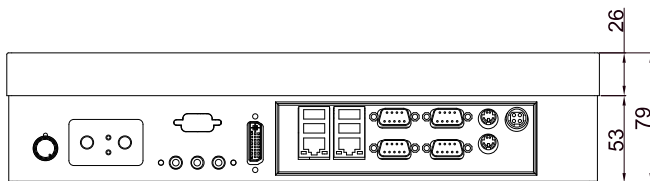
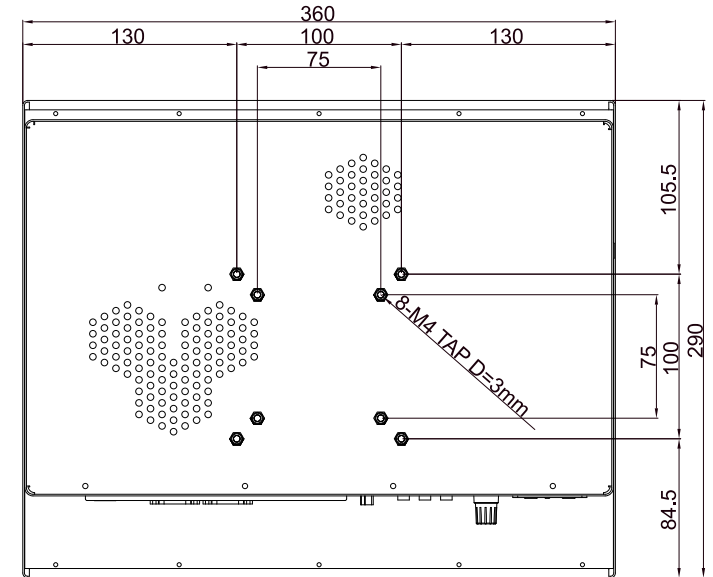
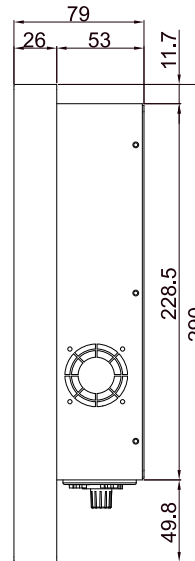
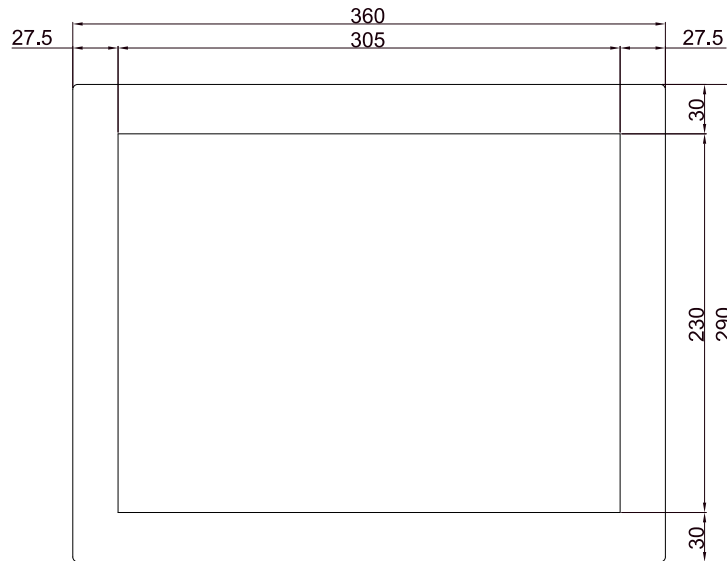
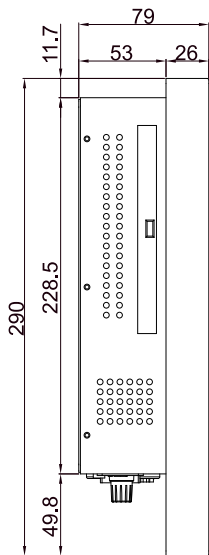
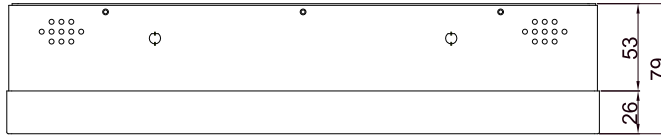


SlimLine IH70 Series

SlimLine WM 15-IH70-CH

38,1 cm (15") 4:3



- | | |
|-------------------------------|----------------------|
| 1. Brightness Adjustment Knob | 7. USB |
| 2. Power Reset Button | 8. RJ-45 |
| 3. Power On Button | 9. VGA Out |
| 4. RS-232 Conn.(Optional) | 10. RS-232 Conn. |
| 5. Audio Jack | 11. PS/2 |
| 6. DVI (Optional) | 12. DC IN Power Jack |